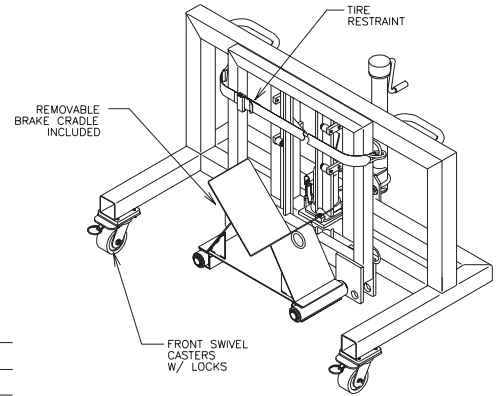


Wheel and brake dolly. This dolly allows one person to handle wheels and brakes on large corporate and commuter aircraft.

Features:

- Sturdy welded steel construction
- Manually operated hydraulic hand pump
- 7" maximum lift height
- Handles tire sizes from 24–54"
- Adjustable rear swivel caster for tilting the dolly
- Front swivel casters with floor locks
- Padded brake handling adapter
- 84" strap assembly for securing load to dolly
- Maximum load capacity: 700 lbs
- Finish: blue baked powder coat



Part No.	Description
14-6883-0110	Wheel and brake dolly
K2965	Outboard wheel support adapter kit – wheel extension for removing outboard wheels

Nitrogen regulators, adapters and connectors. Tire and strut service equipment assist in servicing high or low pressure nitrogen applications.

Part No.	Description	Thread	Maximum Pressure	Purpose
14-6802-6000 ¹	Tire/strut deflator	—	—	Deflates tires and struts
14-6892-6000	Tire deflator	—	—	Tire stem removal tool and deflator
H2482	Tire thread adapter	0.305-32 to 0.482-26	300 psi	Airline thread adapter
H2483	Dual foot air inflator	0.305-32 and 0.482-26	300 psi	Checking or inflating large bore stems
H2484	Tire lock-on Chuck	0.482-26	300 psi	Airline large bore inflation tool
K2419	High pressure connector	0.305-32	—	Connector with valve core adapter
K3127	Expansion adapter kit	0.305-32 to 0.482-26	300 psi	Airline tire service adapter with valve stem
K3706	High pressure connector	0.305-32	—	High pressure valve connector
PC1011	High pressure connector	0.305-32	—	Connector with valve core depressor

¹ Hose provided to drain aircraft struts (remove hose when using for tire service)

TRONAIR PNEUMATIC SERVICE



14-6806-6011

Certified nitrogen service gauges & regulators. These service gauges are certified for accuracy. They are used with regulators to put control as close to application as possible.

Part No.	Description	Pressure Range	Increments	Function
14-6804-6000 ¹	High pressure regulator	0 – 2,500 psi	200 psi	Servicing high pressure with CGA-580
14-6805-6010	Strut service gauge	0 – 3,000 psi	20 psi	Inflates aircraft struts with nitrogen
14-6806-6011	Tire pressure gauge	0 – 300 psi	2 psi	Aircraft tire pressure gauge
14-6807-6011	Tire service gauge	0 – 300 psi	2 psi	Inflates tires with nitrogen
14-6808-6000 ¹	Low pressure regulator	0 – 500 psi	20 psi	Servicing low pressure with CGA-580
14-6829-6000 ¹	High pressure regulator	0 – 4,500 psi	200 psi	Servicing high pressure with CGA-680
14-6830-6012	Tire service gauge	0 – 300 psi	2 psi	Inflates tires from nitrogen
14-6831-6010	Strut service gauge	0 – 3,000 psi	20 psi	Inflates and deflates struts with nitrogen
14-6884-6000	Strut service gauge	0 – 3000 psi	20 psi	Inflates and deflates struts with nitrogen
14-6895-6000	Strut service gauge	0 – 1,500 psi	10 psi	Inflates and deflates struts with nitrogen
14-6900-6000	Strut service gauge	0 – 600 psi	5 psi	Inflates and deflates struts with nitrogen

Note: All listed services gauges are for 0.305-32 stems, see page 2402 for 0.482-26 adapters

¹ Pressure regulator gauges do not have rubber boots or liquid filled gauges

