

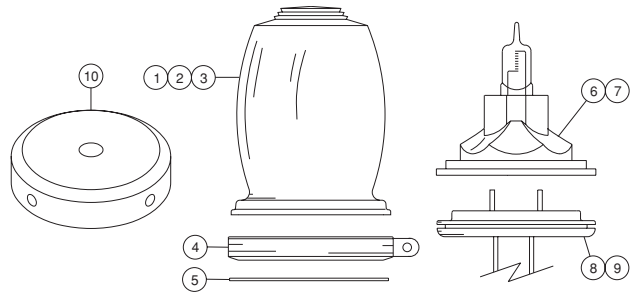
WHELEN SELF-CONTAINED LIGHT ASSEMBLIES

Model 70509 self-contained flashing anti-collision light. FAA-TSO-C96A APPROVED. This self-contained Halogen flashing anti-collision light has the same mounting pattern as the factory-installed beacon on single engine Cessna 1967 and later. When used in conjunction with a 50519 mounting adapter, it can replace rotating beacons with a 3¾" diameter mounting hole. Not recommended for use on helicopters or twin engine aircraft. Weight: 0.27 lbs.; height: 3.75"; diameter: 2.65".



Model No.	Part No.	Description	Power Consumption	Lens Color
7050900	01-0770509-00	Flashing anti-collision light	2.7 A @ 14 V DC	Red
7050901	01-0770509-01	Flashing anti-collision light	2.7 A @ 14 V DC	White
7050902	01-0770509-02	Flashing anti-collision light	2.7 A @ 14 V DC	Split red/white
7050903	01-0770509-03	Flashing anti-collision light	1.3 A @ 28 V DC	Red
7050904	01-0770509-04	Flashing anti-collision light	1.3 A @ 28 V DC	White
7090505	01-0770509-05	Flashing anti-collision light	1.3 A @ 28 V DC	Split red/white
7050907	01-0770509-07	Flashing anti-collision light Cessna single engine	1.3 A @ 28 V DC	Red (w/mask)
50519001	11-350519-001	Optional mounting adapter	—	—

Item	Model No.	Part No.	Description
—	70509()	01-0770509-()	Flasher assembly
1	A402AW	68-2170504-30	Lens assembly, white
2	A402AR	68-2170504-50	Lens assembly, red
3	A402AS	68-2170504-60	Lens assembly, red/white
4	5068500	01-0450685-00	Clamp ring assembly
5	A467	38-0230039-00	Gasket
6	5043300	02-0350433-00	Lamp assembly 14 V
7	5043301	02-0350433-01	Lamp assembly 28 V
8	5026700	02-0250627-00	Flasher assembly 14 V
9	5026701	02-0250627-01	Flasher assembly 28 V
10	50519001	11-350519-001	Optional mounting bracket



Model 90081 halogen flashing anti-collision light. FAA-PMA APPROVED. Self-contained, 150 W halogen light uses a 3¾" diameter rotating beacon mounting hole. Available in 28 V only. Weight: 1.30 lbs.; height: 4.0"; diameter: 3.70".

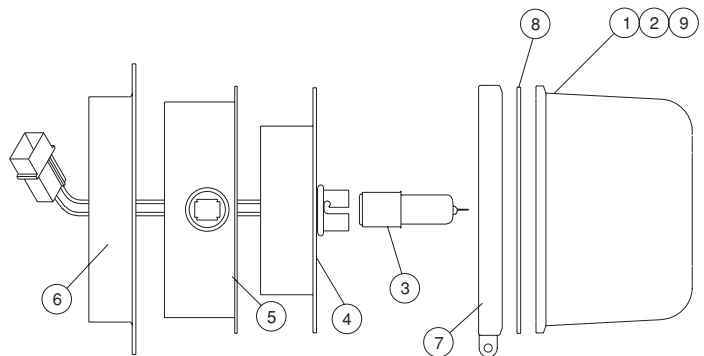
Model No.	Part No.	Description	Position	Power Consumption
9008100	01-0790081-00	Flashing anti-collision light	Vertical tail mount	5.5 A @ 28 V DC
9008101	01-0790081-01*	Flashing anti-collision light	Upper fuselage mount	5.5 A @ 28 V DC
9008102	01-0790081-02*	Flashing anti-collision light	Lower fuselage mount	5.5 A @ 28 V DC

* Supplied with A440 mounting adapter



Item	Part No.	Description
—	01-0790081-00	Beacon assembly, vertical fin
—	01-0790081-01	Beacon assembly upper
—	01-0790081-02	Beacon assembly lower
1	02-0370360-00	Dome assembly, -00 unit, red
2	02-0370360-01	Dome assembly, -01 unit, red
3	34-0226010-91	28 V, 150 W lamp
4	02-0370763-00	Flasher assembly
5	11-350336-003	Housing
6	19-130074-009	Adapter ring (A440)
7	19-250094-000	Clamp ring (WRM-25)
8	38-0230109-00	Gasket
9	02-0370360-02	Dome assembly -02 unit, red

FAA/PMA approved for 28 V DC only



Note: Parts without FAA approval may be purchased, however, installation of these parts on U.S. type certified aircraft may require additional approvals.

Refer to Whelen Model to Part No. List at the end of this section for complete part numbers.

