
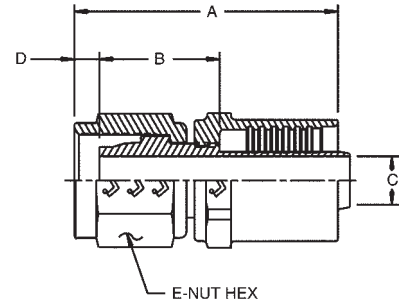



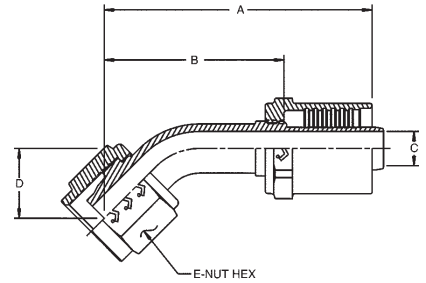
29434 straight flareless fitting (crimp). Flareless swivel NAS-1760. Mates with AS4375/MS33514 connection ends.

Part No.	Tube Size O.D.	Hose Size		Max. A	Drill Min. C	D	E	Nominal	Hex Nut	
									1.5	1.5
29434-4-4CR	0.250	-4	0.4375-20UNJF-3B	1.56	0.135	0.18	0.56	0.063		
29434-6-6CR	0.375	-6	0.5625-18UNJF-3B	1.80	0.240	0.17	0.69	0.108		
29434-8-8CR	0.500	-8	0.750-16UNJF-3B	2.06	0.340	0.19	0.88	0.174		
29434-10-10CR	0.625	-10	0.875-14UNJF-3B	2.44	0.410	0.21	1.00	0.258		
29434-12-12CR	0.750	-12	1.0625-12UNJ-3B	2.56	0.510	0.21	1.25	0.394		
29434-16-16CR	1.000	-16	1.3125-12UNJ-3B	3.00	0.760	0.14	1.50	0.640		




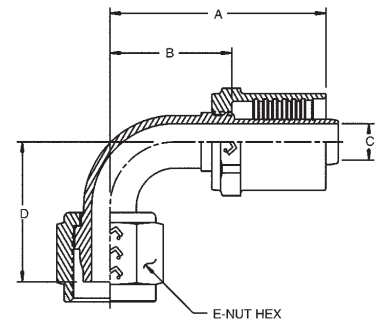
29436 45° elbow flareless fitting (crimp). Flareless swivel NAS-1760. Mates with AS4375/MS33514 connection ends.

Part No.	Tube Size O.D.	Hose Size		Max. A	Min. Thru C	D	E	Nominal	Hex Nut	
									1.5	1.5
29436-4-4CR	0.250	-4	0.4375-20UNJF-3B	2.17	0.109	0.53	0.56	0.069		
29436-6-6CR	0.375	-6	0.5625-18UNJF-3B	2.68	0.188	0.63	0.69	0.160		
29436-8-8CR	0.500	-8	0.750-16UNJF-3B	3.11	0.313	0.71	0.88	0.277		
29436-10-10CR	0.625	-10	0.875-14UNJF-3B	3.59	0.375	0.82	1.00	0.413		
29436-12-12CR	0.750	-12	1.0625-12UNJ-3B	3.67	0.469	1.01	1.25	0.636		
29436-16-16CR	1.000	-16	1.3125-12UNJ-3B	4.49	0.719	1.19	1.50	0.765		

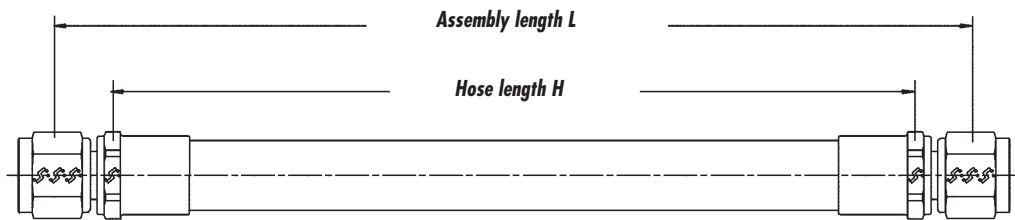


29438 90° elbow flareless fitting (crimp). Flareless swivel NAS-1760. Mates with AS4375/MS33514 connection ends.

Part No.	Tube Size O.D.	Hose Size		Max. A	Min. Thru C	D	E	Nominal	Hex Nut	
									1.5	1.5
29438-4-4CR	0.250	-4	0.4375-20UNJF-3B	1.58	0.109	0.93	0.56	0.069		
29438-6-6CR	0.375	-6	0.5625-18UNJF-3B	1.80	0.188	1.17	0.69	0.160		
29438-8-8CR	0.500	-8	0.750-16UNJF-3B	2.40	0.313	1.33	0.88	0.277		
29438-10-10CR	0.625	-10	0.875-14UNJF-3B	3.04	0.375	1.56	1.00	0.413		
29438-12-12CR	0.750	-12	1.0625-12UNJ-3B	3.35	0.469	1.93	1.25	0.663		
29438-16-16CR	1.000	-16	1.3125-12UNJ-3B	4.26	0.719	2.30	1.50	0.838		



PTFE Flare Hose Assemblies



Example of Part Number

170001-8CR-0185

- Assembly length (L) in inches. Last digit is eighths of an inch.
- Fitting material code
- Size (0.500 tube)
- Basic part no.

170F001

- Basic part no. with 2650 firesleeve and 10781 clamps

Hose assemblies with flare fittings conform to AS604 (formerly MIL-H-38360) and AS(MS) part numbers shown. Fittings mate with AS4395/MS33656 type connectors. Assembly length measured from end of nipple to end of nipple.

